



DESIGNERS & MANUFACTURERS OF MEXICAN FOOD EQUIPMENT



Large Corn Mill

- Available in 25-30-40-50-75 Horsepower
- Heavy duty angle galvanized frame with leveling legs
- Two pair long wearing Volcanic Grinding stones
- Up to 18" Grinding Stone Capacity
- Heavy Duty ODP High Torque Motor
- Multi-Grip V-belt drive system for maximum torque while grinding
- Heavy Duty 2 15/16 high load bearings
- Long wearing high pressure acme thread pressure adjuster
- Locking nut for thread adjuster
- Quick-release handle for easy starting without losing grind adjustment
- Heavy wall stainless steel stone housing
- Precision machined slide tube assembly for consistent stone alignment
- Large capacity stainless steel loading hopper
- High draw auger
- Easy access lubrication
- Stainless steel trim and covers
- NSF/ETL listed
- Made in USA

Safety

- Finger guard over auger

Specs

- 230 V 3 phase

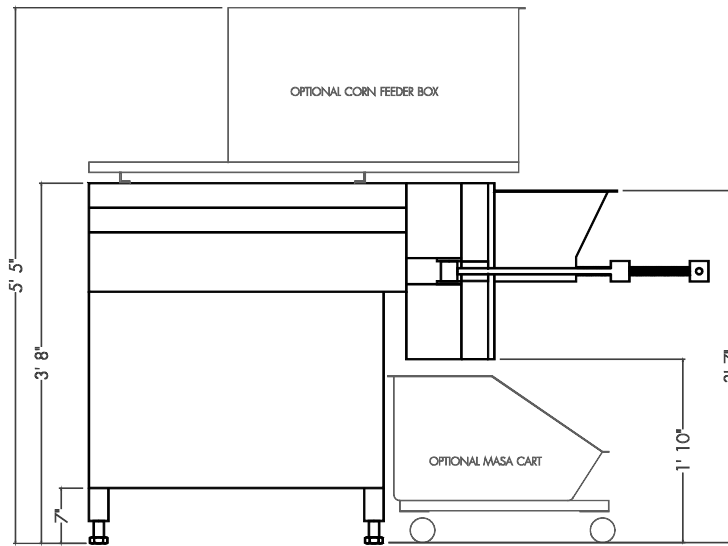
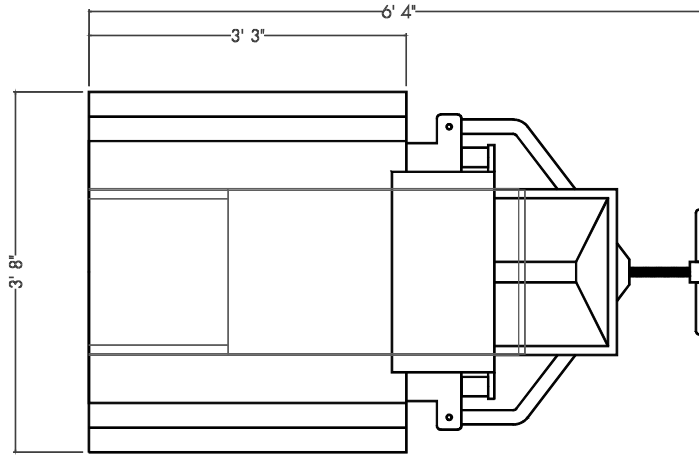
Options

- Corn Feeder Box
- Masa Cart
- 440 V 3 phase

7635 SERAPIS AVE. PICO RIVERA, CALIFORNIA 90660
1(800)944-0396 (562)949-0396 FAX (562)949-0180



DESIGNERS & MANUFACTURERS OF MEXICAN FOOD EQUIPMENT



MODEL #	PRODUCTION RATES (rates are approximate)	RECOMMENDED STONE SIZE	AMPS @ 230 V 3 PHASE
CM25HP	750-900 lbs/hr	12	68
CM30HP	950-1500 lbs/hr	14	80
CM40HP	1500-2300 lbs/hr	15	104
CM50HP	2300-3000 lbs/hr	16	130
CM75HP	3000-4500 lbs/hr	18	192

NOTE:

Magnetic Starter, enclosure, remote on and off switch not included as these are considered part of permanent structure fixtures. And are to be installed by a licensed contractor. Please contact Superior Food Machinery if you need help in the selection of these.

7635 SERAPIS AVE. PICO RIVERA, CALIFORNIA 90660
 1(800)944-0396 (562)949-0396 FAX (562)949-0180